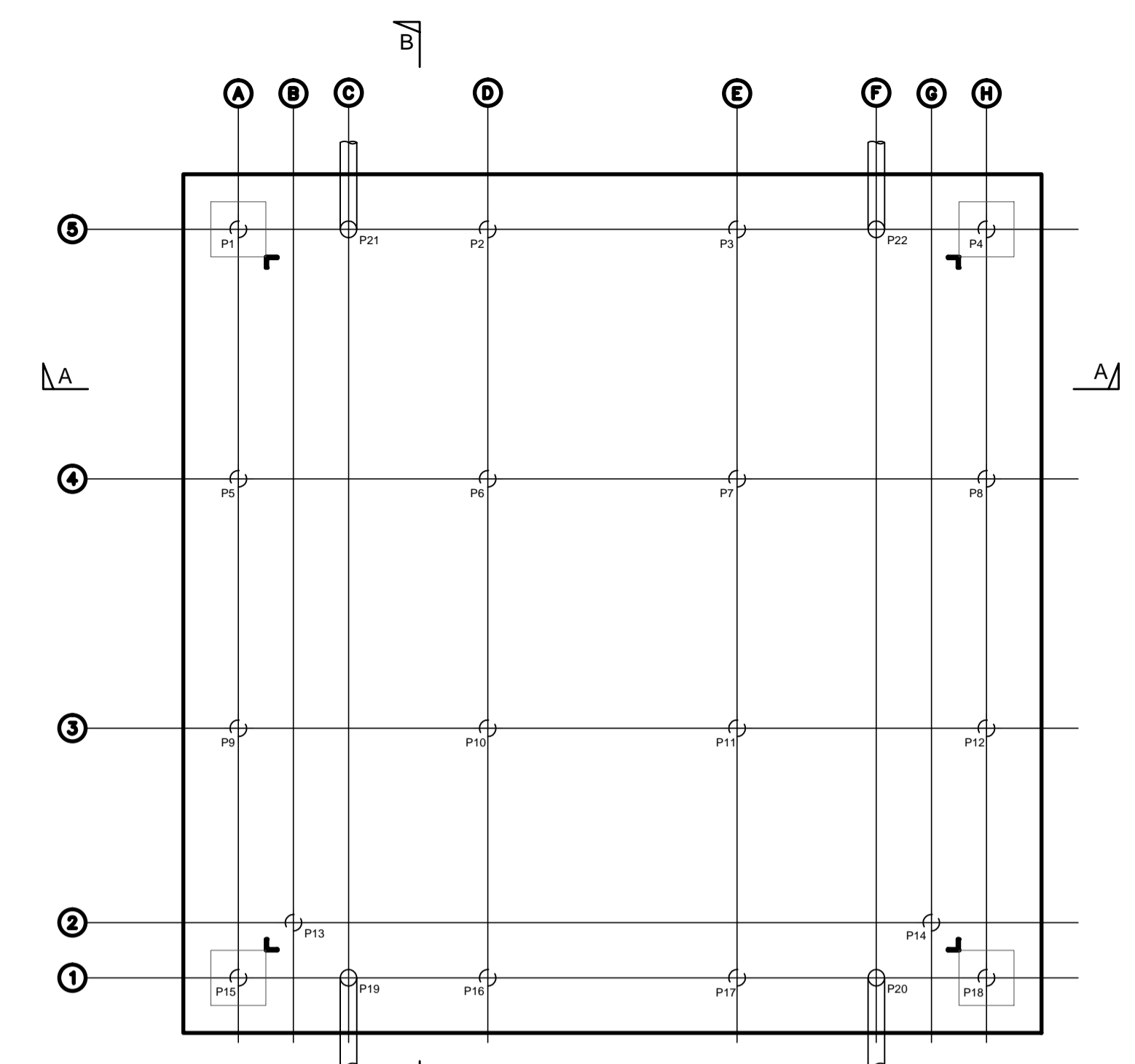
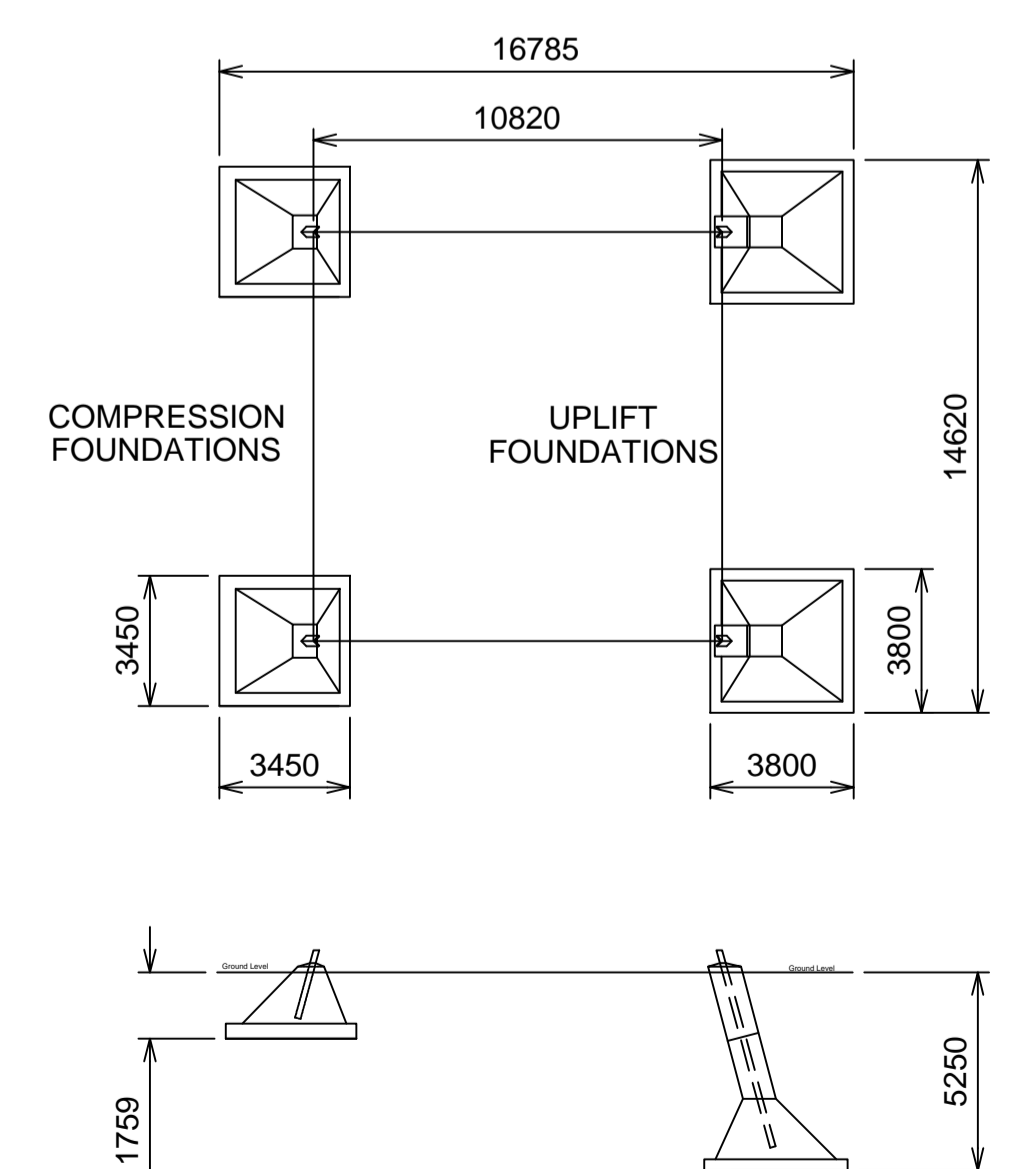
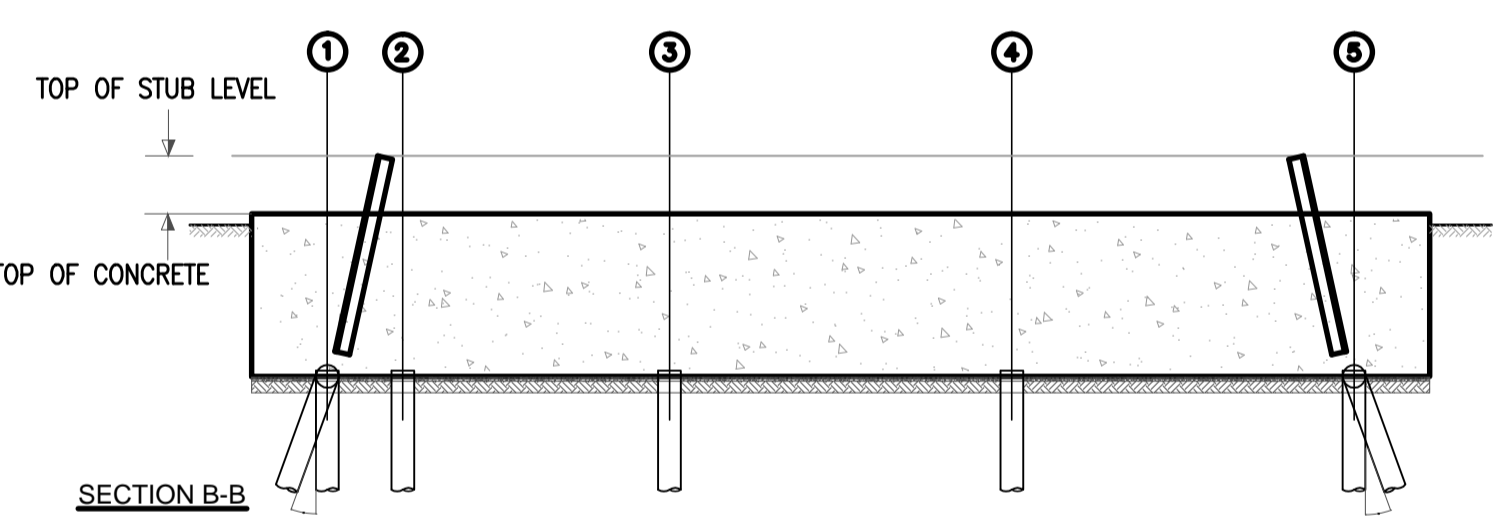
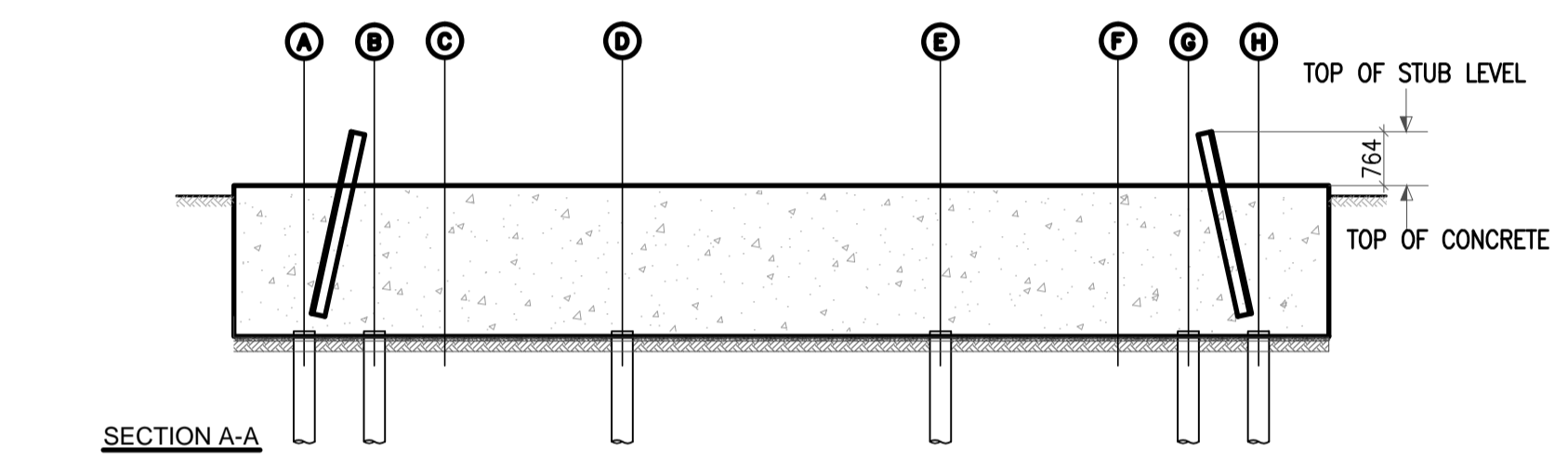
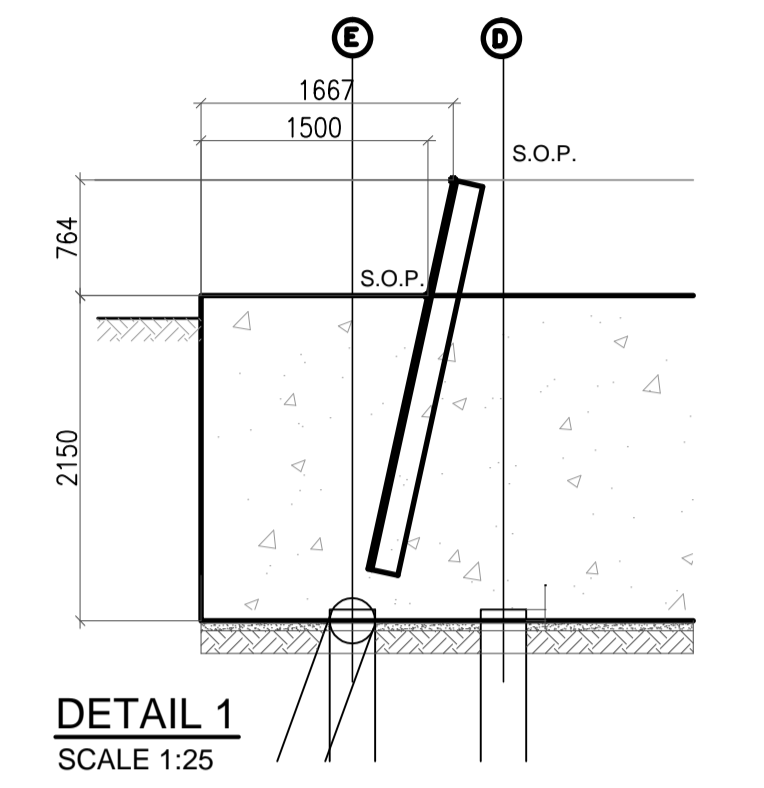


Typical Tower Piled Foundation



NOTES  
 1. All dimensions are in millimetres.  
 2. Do not scale from this drawing.



46m Tower Foundation Layout

Rev	Date	Detail	Made	Chk'd	App'd
<b>PLANNING</b>					
Project: TYRONE TO CAVAN INTERCONNECTOR					
Title: TURLEENAN SUBSTATION NORTHERN TERMINAL TOWER DETAILS					
Design:	NIE	CAD:	NIE		
Chk'd:	NIE	App'd:	NIE		
Date:	03/03/13	Scale:	1:100		
No. 60032220 00 105					
					Rev:
cm					A1